



**schneider**

Tailored to Your Business



## Instrumentation Products

Flange Adaptors



# Flange Adaptors

## Product description

Piping and Instrumentation are linked by the AS-Schneider Flange Adaptors. The compact design eliminates the need for additional connections.

## Features

### Connection 1 (Flange connection)

- ASME B16.5 flange connection  
Flange size 1/2" to 3"  
Flange Class 150 to 2.500
- EN 1092-1 flange connection from  
DN15 to DN80 and from PN10 to PN100

### Connection 2

- Compression fitting DIN 2353
- Threaded
- Twin ferrule compression fitting

### Materials

- ASME flanges A105 or 316 / 316L
- EN flanges 1.0460 or 1.4571

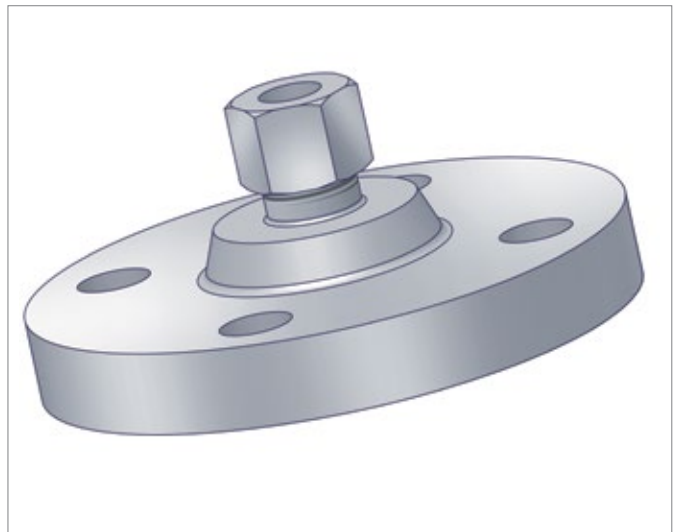
### Optional Features

- NACE MR0175/ISO 15156 compliant materials
- Cleaned and degreased for oxygen service
- Certificates according EN 10204

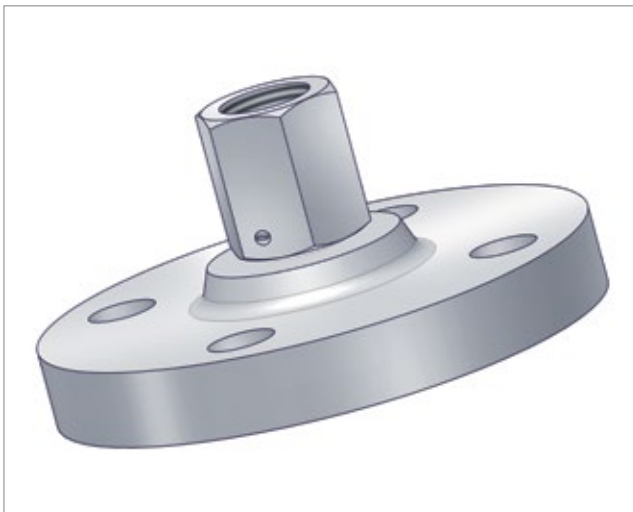
If you don't find your option please contact us.



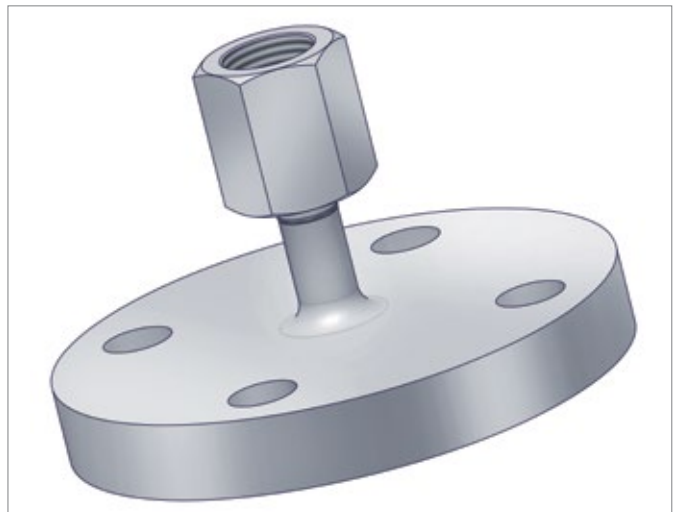
FAB-QLDLN4-P



FAN-QLDG14-P



FAN-QLDLGQ-P



FAN-QLDLGD-P

# Flange Adaptors | Ordering Information

## Ordering Information | Flange Adaptor

	1	2	3	4	5	6	7	8	9	10	11	12	13	14
	F	A	N	-	N	A	A	G	1	4	-	C		
<b>Flange Adaptor</b>														
<b>Flange type</b>														
N	Flange, ASME													
Q	Flange, EN													
<b>Connection 1 (Flange connection)</b>														
<b>ASME Flange</b>							<b>EN Flange</b>							
A	1/2" RF						DN15 B1							
D	3/4" RF						DN15 C (tongue)							
F	3/4" RTJ						DN20 B1							
G	1" RF													
L							DN25 B1							
N	2" RF						DN25 B2							
P							DN25 C (tongue)							
Q	2" RTJ						DN25 D (groove)							
U	3" RF													
W	3" RTJ						DN50 B1							
Z							DN80 B1							
<b>ASME Flange</b>							<b>EN Flange</b>							
A	Class 150						PN 16 (only applicable to $\geq$ DN50)							
B	Class 300													
C	Class 600						PN 40							
D	Class 900						PN 63 (only applicable to $\geq$ DN50)							
E	Class 1500						PN 100							
F	Class 2500						PN 160							
G														
<b>Connection 2</b>														
G14	Compression fitting DIN2353 12S													
G15	Compression fitting DIN2353 14S													
LGB	Swivel nut G 1/4 (welded)													
LGD	Swivel nut G 1/2 (welded)													
LGN	Swivel nut G 1/4													
LGQ	Swivel nut G 1/2													
LN4	Female thread 1/2NPT (positions 1-3 change to FAB) Twin ferrule compression fitting on request													
<b>Material</b>														
<b>ASME Flange</b>							<b>EN Flange</b>							
C	A105						1.0460							
P							1.4571							
S	316L													
<b>Optional Features</b>														
B	Oxygen service													
N	NACE MR0175/ISO 15156													

Armaturenfabrik Franz Schneider GmbH + Co.KG reserves the right to change materials, specifications or designs without notice.



# YOUR GLOBAL PARTNER

for Instrumentation and  
Pipeline Valves



Visit us on:



ARMATURENFABRIK FRANZ SCHNEIDER GMBH + CO. KG  
World Headquarters  
Bahnhofplatz 12, 74226 Nordheim, Germany  
Tel: +49 7133 101-0  
[www.as-schneider.com](http://www.as-schneider.com)



ARMATURENFABRIK FRANZ SCHNEIDER SRL  
Str. Basarabilor, Nr. 7, 100036 Ploiesti  
Romania  
Tel: +40 244 384 963  
[www.as-schneider.ro](http://www.as-schneider.ro)



AS-SCHNEIDER ASIA-PACIFIC PTE. LTD.  
970 Toa Payoh North, #02-12/14/15, Singapore 318992,  
Singapore  
Tel: +65 62 51 39 00  
[www.as-schneider.sg](http://www.as-schneider.sg)



AS-SCHNEIDER AMERICA, INC.  
17471 Village Green Dr, Houston, TX 77040  
United States of America  
Tel: +1 281 760 1025  
[www.as-schneider.com](http://www.as-schneider.com)



AS-SCHNEIDER MIDDLE EAST FZE  
P.O. Box 18749, Dubai  
United Arab Emirates  
Tel: +971 4 880 85 75  
[www.as-schneider.ae](http://www.as-schneider.ae)



AS-2801-EN | October 2016