

FLOW DATA SENSOR ZE 3000 FOR DFM 165-350

Features

- controlled by microprocessor to ensure accurate flow measurement and evaluation
- 2-wire technology
- 4...20 mA analogue output
- individual programming adapted to the DFM
- 11-point calibration
- nonvolatile storage of the values
- 0 button to compensate for the surrounding magnetic influences
- factory settable inertia (low-pass filter)
0.1...2.5 sec. according to customer specifications
- Recording accuracy of the magnetic float higher than 0.5%

www.asv-stuebbe.com/produkte/mess-und-regeltechnik



Description

- The ZE 3000 emits a 4 ... 20 mA signal according to industrial standards, generated in the DFM by the precise magnet angle detection of the magnetic float. Existing flowmeters (with magnetic floats) can be easily retrofitted with the ZE 3000 to allow electrical signalling of the flow and, for example, further processing of the values in a PLC for process control or direct display of the flow rate. This unit controlled by micro-processor is programmed by ASV Stübbe for the respective DFM flowmeter. This guarantees accurate flow measurement and evaluation.

Operating note

The DFM, to which the ZE 3000 is to be fitted, must be known in advance.

The medium description is located on the respective scale.

The percentage scale refers to H₂O at 20°C unless otherwise specified.

Housing:

- ABS

Colors:

- anthracite gray

Voltage

- 8–28 V DC

Output signal

- 4...20 mA

Ambient temperature

- -20–65°C

Type of protection

- IP 67

Installation

- The ZE 3000 is fitted to the dovetail guide of the flowmeter with screw clamps. The plug connector is located in the upper section. When mounting, ensure that the notch of the ZE 3000 is located at the half-way mark of the flow capacity on the medium scale. Subsequently proceed with the wiring according to the plug assignment plan.

Installation note

When fitting several DFMs with ZE 3000 observe the following minimum spacings:

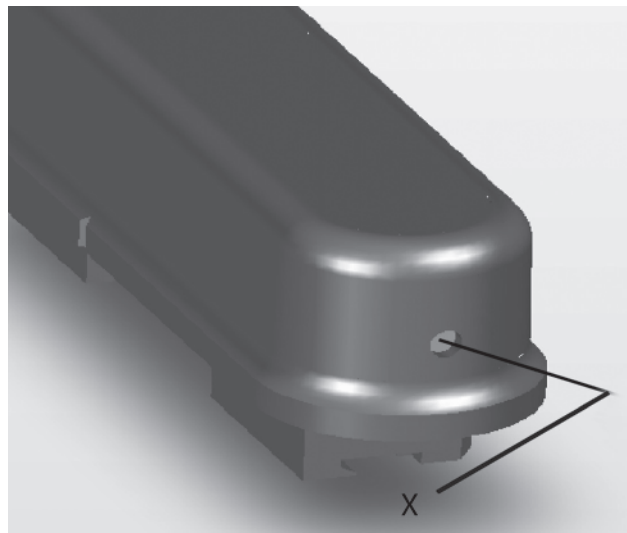
- 200 mm for DFM 165 to DFM 200
- 400 mm for DFM 335 and DFM 350

Application



Flowmeter With Float DFM

Commissioning/start-up



Description	
X	concealed button

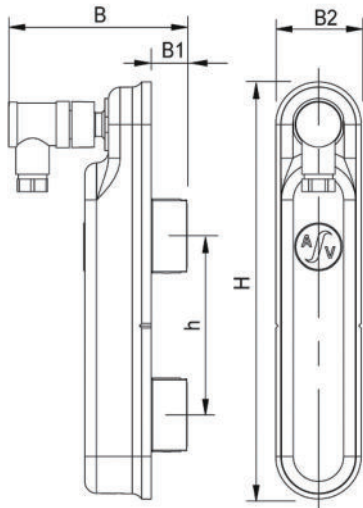
Once the system is installed and the voltage supply established, press the button (X) for at least 2 seconds to compensate for the magnetic ambient influences. Ensure that the float is in its bottom position during this, i.e. no flow takes place!

Note

Never press the button during normal/standard operation.

Flow data sensor ZE 3000 for DFM 165–350

Basic valve with hand lever



Dimensions

Dimension	mm
B	75
B1	15
B2	36
h	70
H	176