

Limit reed switch ZE 950 for DFM 165 - 350

monostable NO



Benefits

- reliable limit value determination using reed switches
- direct power control of consumers with contact protection relay ZE 3061
- 2-point control for monostable switches with ZE 3060
- freely adjustable flow limit value - fastened with a clamping piece to the measuring tube dovetail guide
- reliable, simple installation, easy to retrofit in existing plants

Description

- The limit reed switch ZE 950 serves as signal transmitters of the flow values. They are clamped to the dovetail guides and signal when the magnetic float in the measuring tube has reached or exceeded the signal transmitter position. As soon as this happens, a contact in the signal transmitter, as the actual switching element (reed switch), open or closes.

Function

- Type ZE 950 monostable (normally open contact) The contact is closed when the float is directly at the height of the signal transmitter. It opens as soon as the float moves up or down, i.e. when the flow increases or decreases.

Case

- ABS

Connector Plug

- according to DIN EN 175301-803

Voltage

- 230V AC 50/60 Hz

Switching Current

- max. 0,5 A

Electric Switching Capacity

- max. 10 VA

Resistance

- < 100 mOhm

Insulation Resistance

- > 10¹⁰ Ohm

Ambient Temperature

- 0°C to +55°C

Hysteresis

- 10 mm

Type Of Protection

- IP 65 with mounted connector plug

Connection Cable

- nominal cross-section 1.5 mm²
- cable outer diameter of 4...6 mm

Pin Assignment

- the polarity of the connections has no influence on the function

Colour

- anthracite grey

Accessories

- 2-Point Control Unit ZE 3060 (Article number 136245, 1326244)
- Contact Protection Relay ZE 3061 (Article number 136240, 136239)

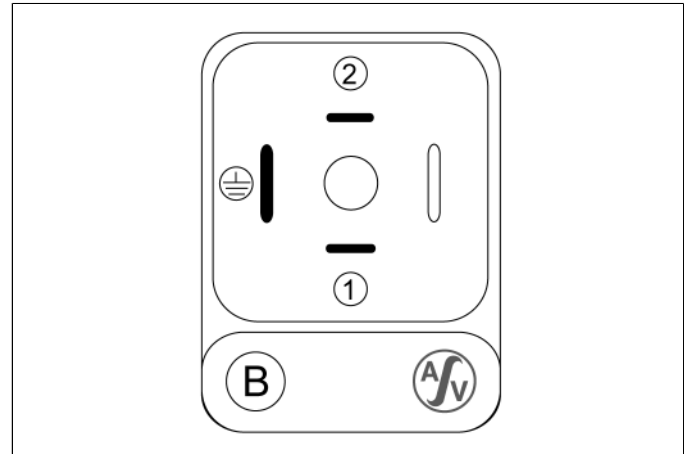
Measurement, Limit reed switch ZE 950 for DFM 165 - 350

Utilisation



Flowmeter With Float DFM

Electrical connection



Operating note

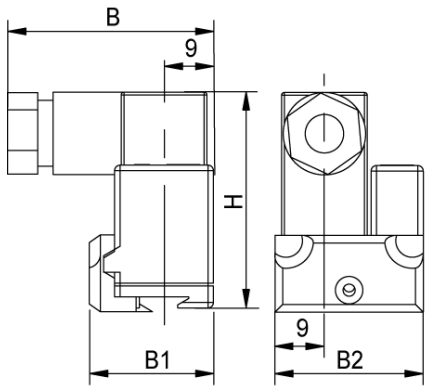
Do not exceed the current data or the switching capacity. For this reason, always fit the contact protection relay if a power circuit is intended.

Measurement, Limit reed switch ZE 950 for DFM 165 - 350



body ABS		body ABS	
size pressure range	version		monostable (NO)
Connection	sealing	ident No.	
general general	-		48118

Measurement, Limit reed switch ZE 950 for DFM 165 - 350



dimensions

version	monostable (NO)
dimensions(mm)	
version	monostable (NO)
B	37.5
B1	22.6
B2	27
H	40

Measurement, Limit reed switch ZE 950 for DFM 165 - 350